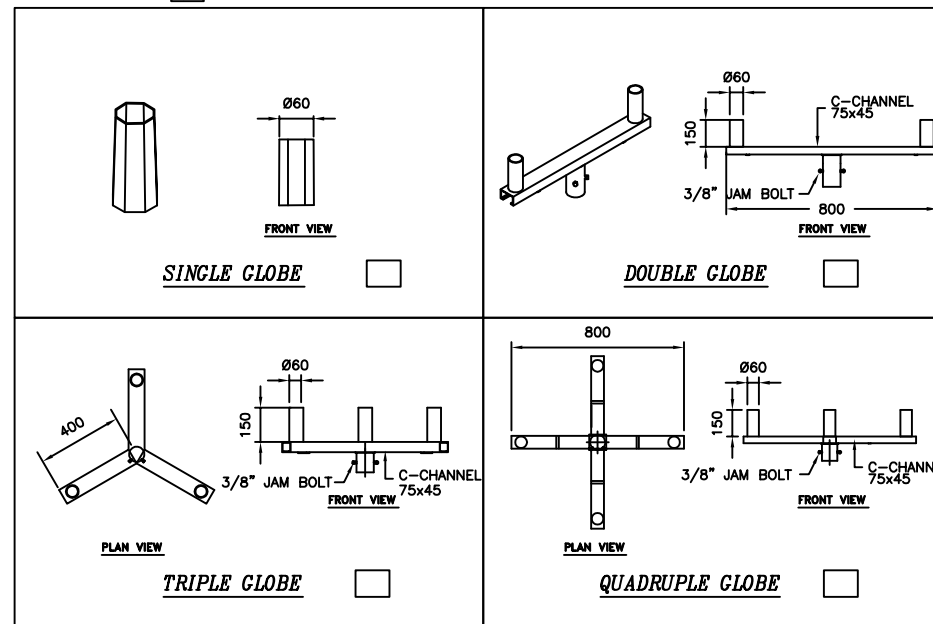


1. PLEASE TICK



**TECHNICAL SPECIFICATIONS**

- THE COLUMNS ARE DESIGNED TO WITHSTAND MAXIMUM WIND SPEED OF 35 m/s (3-SEC GUST), TOPOGRAPHY, GROUND ROUGHNESS & STATISTICAL FACTOR OF 1.0.
- COLUMNS ARE MANUFACTURED IN COMPLIANCE TO BRITISH STANDARD BS EN 40.
- MATERIALS USED FOR COLUMNS ARE COMPLIANCE TO BS EN 10025 S275JR.
- COLUMNS ARE LONGITUDINALLY SEAM WELDED CONFORM TO BS 1011-1 BY AUTOMATIC CONTINUOUS METAL INERT GAS (MIG) PROCESS.
- COLUMNS ARE ANTI-CORRODED BY HOT-DIP GALVANIZED, COMPLIANCE TO GALVANIZING STANDARD BS EN ISO 1461
- ALL DIMENSIONS ARE IN (mm), UNLESS OTHERWISE SPECIFIED.
- ALL MATERIAL TOLERANCES ARE ACCORDANCE TO: BS EN 10029 (STEEL PLATE) BS EN 10255 (STEEL TUBE / HOLLOW SQUARE) BS EN 10056 (STEEL ANGLE)
- UNLESS OTHERWISE SPECIFIED, ALL DIMENSION WITHIN THIS DRAWING ARE AS PER GALVAPOLE STANDARD SPECIFICATION AND SUBJECTED TO TOLERANCE AS PER BS EN 40-2.

PLEASE TICK

2. SERVICE DOOR TYPE

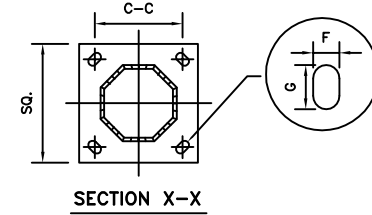
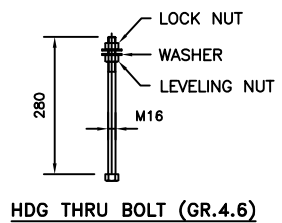
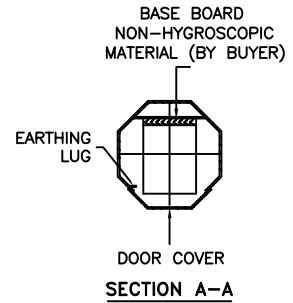
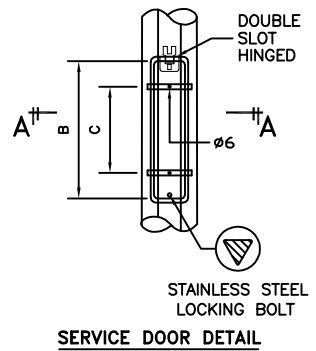
STEEL	<input type="checkbox"/>
FIBER WITH _____ WORDING	<input type="checkbox"/>

3. ANTI-STICK PAINT

_____ M FROM GROUND LEVEL	<input type="checkbox"/>
---------------------------	--------------------------

4. COLUMN DETAIL.PLEASE TICK

TICK	Lm	STANDARD SERVICE DOOR DETAIL				FLANGE DETAIL				HOLDING BOLT	
		A	B	C	D	SQ	C-C	ELONGATED			
<input checked="" type="checkbox"/>	3	305	305	150	72	250	195	20	35	Ø16	280
	4	305	305	150	72	250	195	20	35	Ø16	280
	5	305	305	150	72	250	195	20	35	Ø16	280



**GALVAPOLE INDUSTRIES SDN. BHD.**  
 9, JALAN KECAPI 33/2,  
 ELITE INDUSTRIAL ESTATE  
 JALAN BUKIT KEMUNING,  
 40350 SHAH ALAM, SELANGOR  
 MALAYSIA  
 Tel : +603-51213300  
 Fax : +603-51212828  
 Website : www.galvapole.com  
 Email : sales@galvapole.com

CLIENT : -	CAD FILE : PTC FM STD ISO
PROJECT : -	CHECK BY :
DATE :	DRAWN BY :
DRAWING TITLE : <b>POST TOP COLUMN FLANGE MOUNTED</b>	APPROVE BY : SCALE : N.T.S REVISION : 00

THIS DRAWING BELONGS TO THE PROPERTY OF GALVAPOLE INDUSTRIES SDN. BHD. IT MUST NOT BE REPRODUCED WITHOUT OWNER'S PRIOR CONSENT IN WRITING.