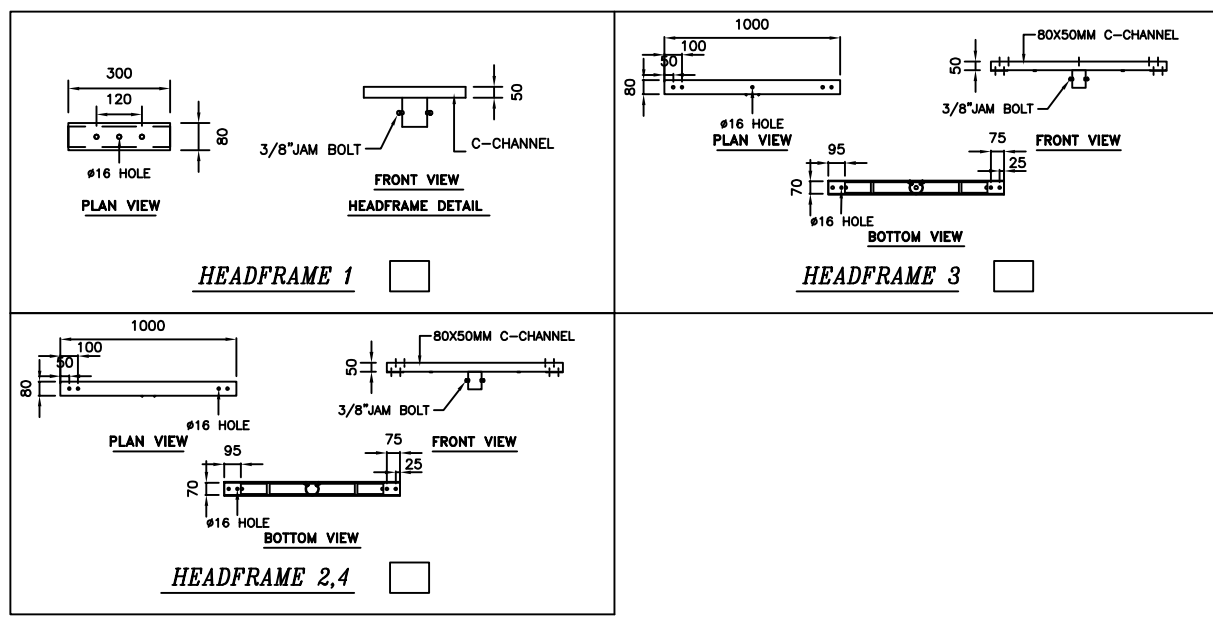


1. HEADFRAME TYPE. PLEASE TICK



PLEASE TICK

2. SERVICE DOOR TYPE

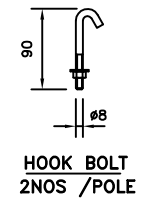
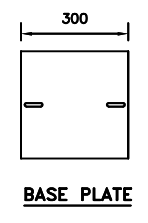
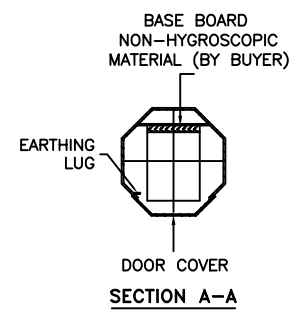
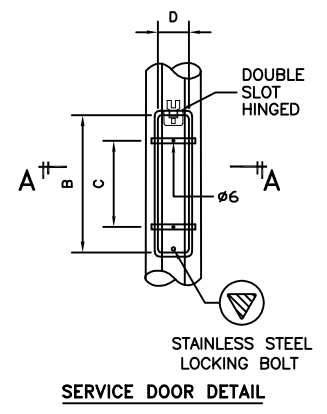
STEEL	<input type="checkbox"/>
FIBER WITH _____ WORDING	<input type="checkbox"/>

3. SPECIAL DOOR HEIGHT "A"

2.0M FROM GROUND LEVEL	<input type="checkbox"/>
1.8M FROM GROUND LEVEL	<input type="checkbox"/>

4. ANTI-STICK PAINT

_____ M FROM GROUND LEVEL	<input type="checkbox"/>
---------------------------	--------------------------



TECHNICAL SPECIFICATIONS

- THE COLUMNS ARE DESIGNED TO WITHSTAND MAXIMUM WIND SPEED OF 35 m/s (3-SEC GUST), TOPOGRAPHY, GROUND ROUGHNESS & STATISTICAL FACTOR OF 1.0.
- COLUMNS ARE MANUFACTURED IN COMPLIANCE TO BRITISH STANDARD BS EN 40.
- MATERIALS USED FOR COLUMNS ARE COMPLIANCE TO BS EN 10025 S275JR.
- COLUMNS ARE LONGITUDINALLY SEAM WELDED CONFORM TO BS 1011-1 BY AUTOMATIC CONTINUOUS METAL INERT GAS (MIG) PROCESS.
- COLUMNS ARE ANTI-CORRODED BY HOT-DIP GALVANIZED, COMPLIANCE TO GALVANIZING STANDARD BS EN ISO 1461
- ALL DIMENSIONS ARE IN (mm), UNLESS OTHERWISE SPECIFIED.
- ALL MATERIAL TOLERANCES ARE ACCORDANCE TO: BS EN 10029 (STEEL PLATE) BS EN 10255 (STEEL TUBE / HOLLOW SQUARE) BS EN 10056 (STEEL ANGLE)
- UNLESS OTHERWISE SPECIFIED, ALL DIMENSION WITHIN THIS DRAWING ARE AS PER GALVAPOLE STANDARD SPECIFICATION AND SUBJECTED TO TOLERANCE AS PER BS EN 40-2.

5. COLUMN DETAIL.PLEASE TICK

TICK <input checked="" type="checkbox"/>	Lm	STANDARD SERVICE DOOR DETAIL				PLANTING DEPTH	OVERLAP	
		A	B	C	D		1	2
	3	305	305	150	72	600	-	-
	4	305	305	150	72	800	-	-
	5	305	305	150	72	800	-	-
	6	305	305	150	100	1050	150	-
	7	305	305	150	110	1200	150	-
	8	305	450	300	110	1300	150	250
	9	610	450	300	110	1400	150	250
	10	610	450	300	110	1500	150	250
	12	610	450	300	110	1700	150	250

GALVAPOLE INDUSTRIES SDN. BHD.
 9, JALAN KECAPI 33/2, ELITE INDUSTRIAL ESTATE, JALAN BUKIT KEMUNING, 40350 SHAH ALAM, SELANGOR MALAYSIA
 Tel : +603-51213300
 Fax : +603-51212828
 Website : www.galvapole.com
 Email : sales@galvapole.com

CLIENT : -	CAD FILE : FLC PT STD ISO
PROJECT : -	CHECK BY :
DATE :	DRAWN BY :
DRAWING TITLE : FLOODLIGHT COLUMN PLANTED	APPROVE BY : SCALE : N.T.S REVISION : 00

THIS DRAWING BELONGS TO THE PROPERTY OF GALVAPOLE INDUSTRIES SDN. BHD. IT MUST NOT BE REPRODUCED WITHOUT OWNER'S PRIOR CONSENT IN WRITING.