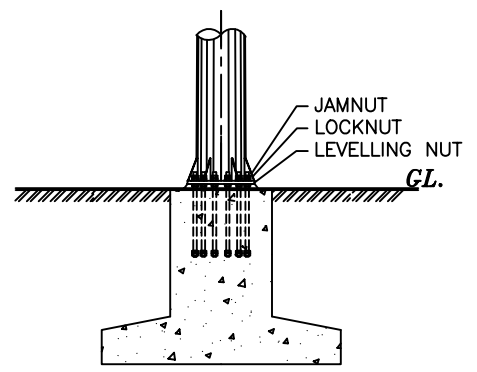
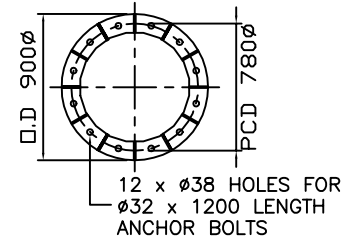
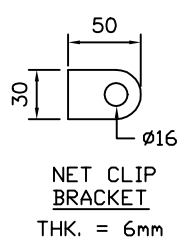
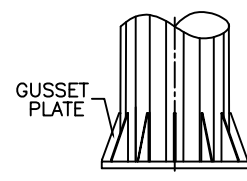
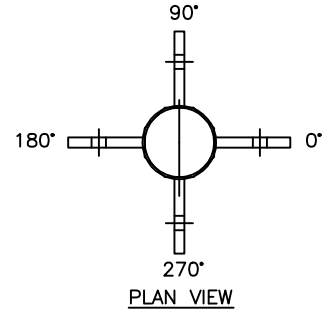
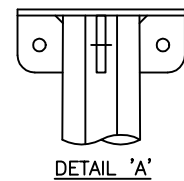


TECHNICAL INFORMATION

COLUMN DESIGN	:	ILE TR7./ BS-CP3
MATERIAL	:	BS 4360 G50A / JIS G3101 SS400
BASIC WIND SPEED	:	35 m/s
TOPOGRAPHY FACTOR	:	1
TERRAIN CATERGORY	:	2
EXPOSURE PERIOD	:	25 YEARS
WELDING CONFORMS TO	:	BS 5135
GALVANIZING CONFORMS TO	:	BS 729



GALVAPOLE INDUSTRIES SDN. BHD.

 9, JALAN KECAPI 33/2,
 ELITE INDUSTRIAL ESTATE
 JALAN BUKIT KEMUNING,
 40350 SHAH ALAM, SELANGOR
 MALAYSIA
 Tel : 603-51213300
 Fax : 603-51212828
 Website : www.galvapole.com
 Email : sales@galvapole.com

CLIENT : -		DRAW NO : 30M/NP/FM/01/R0	
PROJECT : -		FILE NAME : NP ISO STD	
DATE : 15-09-2010	DRAWN BY : A.D	INCHARGE BY : CCC	SCALE : N.T.S
DRAWING TITLE : 30M NETTING POLE FM		CHECK/APPR. BY : CCC	A4 SIZE

THIS DRAWING IS THE PROPERTY OF GALVAPOLE INDUSTRIES SDN. BHD. AND MUST NOT BE REPRODUCED WITHOUT THEIR PRIOR CONSENT IN WRITING.