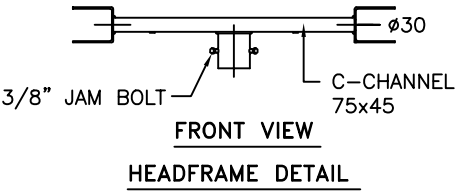
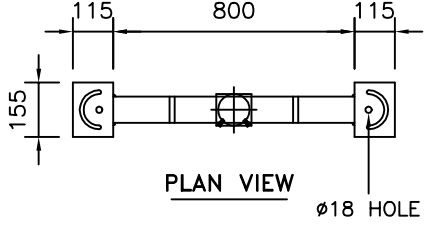


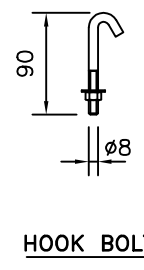
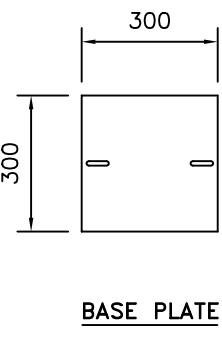
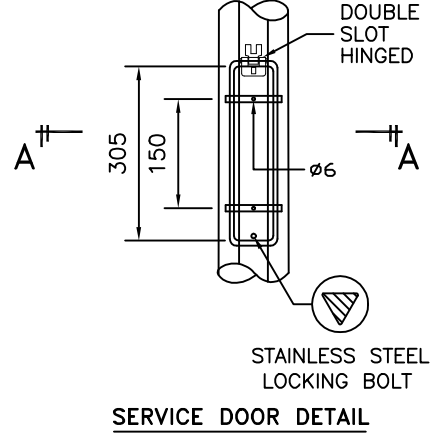
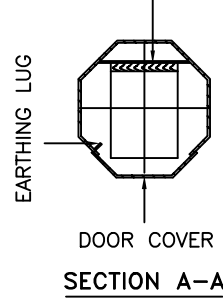
5M NOMINAL MOUNTING HEIGHT

FLOODLIGHTS (BY OTHERS)

HEADFRAME FOR 4 FLOODLIGHTS



BASE BOARD NON-HYGROSCOPIC MATERIAL (BY BUYER)



**TECHNICAL SPECIFICATIONS**

- THE COLUMNS ARE DESIGNED TO WITHSTAND WIND SPEED OF 35M PER SECOND, TOPOGRAPHY, GROUND ROUGHNESS & STATISTICAL FACTOR OF 1.0.
- COLUMNS ARE MANUFACTURED IN COMPLIANCE TO BRITISH STANDARD BS EN 40.
- MATERIALS USED FOR LIGHTING COLUMNS ARE COMPLIANCE TO BS EN 10025 S275 /JIS G3101 SS400.
- LIGHTING COLUMNS ARE LONGITUDINALLY SEAM WELDED CONFORM TO BS 5135 BY AUTOMATIC CONTINUOUS METAL INERT GAS (MIG) PROCESS.
- COLUMNS ARE ANTI-CORRODED BY HOT-DIP GALVANIZED, COMPLIANCE TO GALVANIZING STANDARD BS EN ISO 1461
- SERVICE DOOR DIMENSIONS ARE GIVEN AS A GUIDE ONLY. THE ENGINEER MUST SATISFY HIMSELF THAT DIMENSIONS GIVEN ARE ADEQUATE FOR THE INSTALLATION OF THE REQUIRED CONTROL GEAR.
- ALL DIMENSIONS ARE IN (mm), UNLESS OTHERWISE SPECIFIED.

**GALVAPOLE INDUSTRIES SDN. BHD.**

9, JALAN KECAPI 33/2, ELITE INDUSTRIAL ESTATE JALAN BUKIT KEMUNING, 40350 SHAH ALAM, SELANGOR MALAYSIA

Tel : 603-51213300  
 Fax : 603-51212828  
 Website : www.galvapole.com  
 Email : sales@galvapole.com

|  |                |                             |               |
|--|----------------|-----------------------------|---------------|
| CLIENT : -                                   |                | DRAW NO : 5M/FLC/HF-4/PT/R0 |               |
| PROJECT : -                                  |                | FILE NAME : FLC STD ISO     |               |
| DATE : 17-03-2010                            | DRAWN BY : A.D | CHECKED BY : CCC            | SCALE : N.T.S |
| DRAWING TITLE : 5M FLOODLIGHT COLUMN HF-4 PT |                | APPROVED BY : CCC           | A4 SIZE       |

THIS DRAWING IS THE PROPERTY OF GALVAPOLE INDUSTRIES SDN. BHD. AND MUST NOT BE REPRODUCED WITHOUT THEIR PRIOR CONSENT IN WRITING.