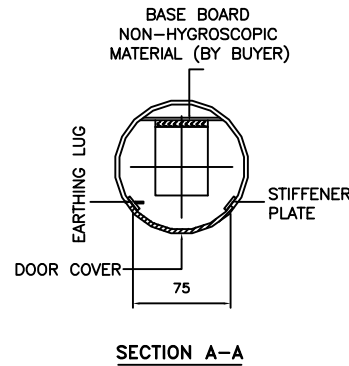
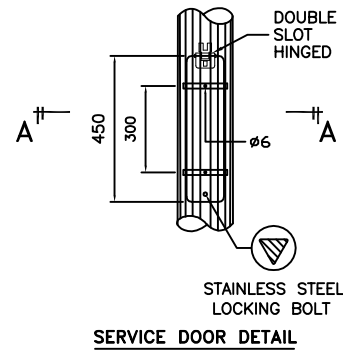
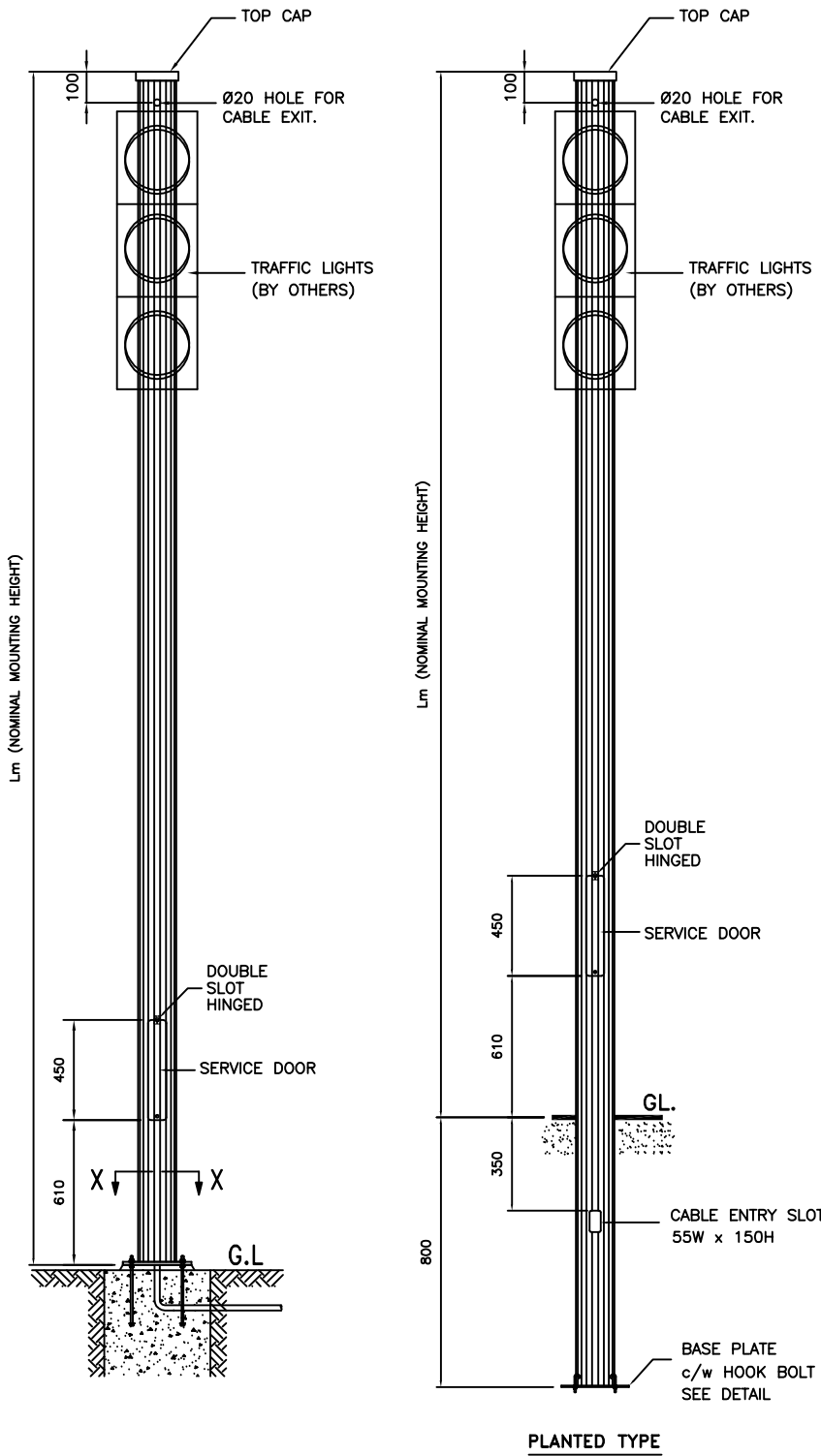


**TECHNICAL SPECIFICATIONS**

- THE COLUMNS ARE DESIGNED TO WITHSTAND MAXIMUM WIND SPEED OF 35 m/s (3-SEC GUST), TOPOGRAPHY, GROUND ROUGHNESS & STATISTICAL FACTOR OF 1.0.
- COLUMNS ARE MANUFACTURED IN COMPLIANCE TO BRITISH STANDARD BS EN 40.
- MATERIALS USED FOR COLUMNS ARE COMPLIANCE TO BS EN 10025 S275JR.
- COLUMNS ARE LONGITUDINALLY SEAM WELDED CONFORM TO BS 1011-1 BY AUTOMATIC CONTINUOUS METAL INERT GAS (MIG) PROCESS.
- COLUMNS ARE ANTI-CORRODED BY HOT-DIP GALVANIZED, COMPLIANCE TO GALVANIZING STANDARD BS EN ISO 1461
- ALL DIMENSIONS ARE IN (mm), UNLESS OTHERWISE SPECIFIED.
- ALL MATERIAL TOLERANCES ARE ACCORDANCE TO: BS EN 10029 (STEEL PLATE) BS EN 10255 (STEEL TUBE / HOLLOW SQUARE) BS EN 10056 (STEEL ANGLE)
- UNLESS OTHERWISE SPECIFIED, ALL DIMENSION WITHIN THIS DRAWING ARE AS PER GALVAPOLE STANDARD SPECIFICATION AND SUBJECTED TO TOLERANCE AS PER BS EN 40-2.



PLEASE TICK

1. POLE TYPE

FLANGE MOUNTED	<input type="checkbox"/>
<p>THROUGH BOLT</p>	
<p>SECTION X-X</p>	
PLANTED	<input type="checkbox"/>
<p>HOOK BOLT</p>	
<p>BASE PLATE</p>	

2. NOMINAL MOUNTING HEIGHT

3.0m	<input type="checkbox"/>
3.5m	<input type="checkbox"/>
4.0m	<input type="checkbox"/>
4.5m	<input type="checkbox"/>
5.0m	<input type="checkbox"/>

3. POLE PARALLEL SHAPE

POLYGONAL	<input type="checkbox"/>
Ø114 PIPE	<input type="checkbox"/>

4. SERVICE DOOR TYPE

STEEL	<input type="checkbox"/>
FIBER WITH _____ WORDING	<input type="checkbox"/>

5. SERVICE DOOR QUANTITY

SINGLE SERVICE DOOR	<input type="checkbox"/>
DOUBLE SERVICE DOOR	<input type="checkbox"/>

6. POLE FINISH

GALVANIZED	<input type="checkbox"/>
POWDER COATED: _____ COLOUR	<input type="checkbox"/>

<b>GALVAPOLE INDUSTRIES SDN. BHD.</b> 9, JALAN KECAPI 33/2, ELITE INDUSTRIAL ESTATE, JALAN BUKIT KEMUNING, 40350 SHAH ALAM, SELANGOR MALAYSIA Tel : +603-51213300 Fax : +603-51212828 Website : www.galvapole.com Email : sales@galvapole.com	CLIENT : -	CAD FILE : TFP STD ISO	
	PROJECT : -	CHECK BY :	
	DATE : _____	DRAWN BY :	APPROVE BY :
	DRAWING TITLE : <b>TRAFFIC LIGHT POLE</b>	SCALE : N.T.S	REVISION : 00
THIS DRAWING BELONGS TO THE PROPERTY OF GALVAPOLE INDUSTRIES SDN. BHD. IT MUST NOT BE REPRODUCED WITHOUT OWNER'S PRIOR CONSENT IN WRITING.			