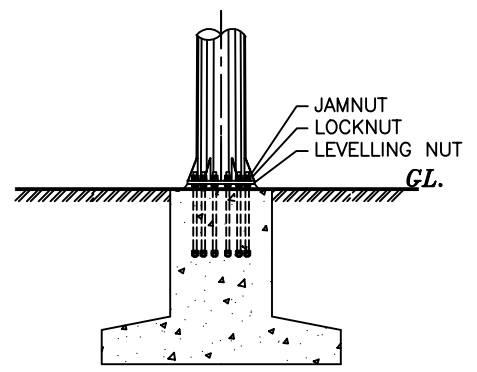
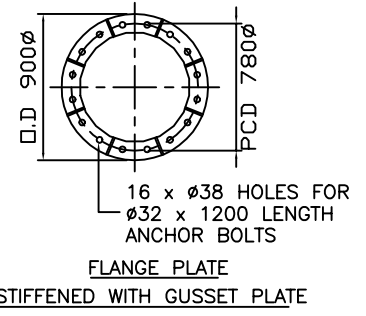
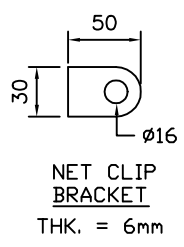
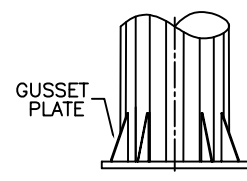
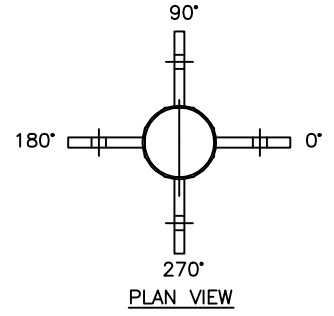
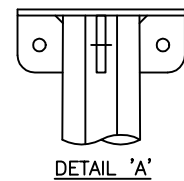


**TECHNICAL INFORMATION**

COLUMN DESIGN	:	ILE TR7./ BS-CP3
MATERIAL	:	BS 4360 G50A / JIS G3101 SS400
BASIC WIND SPEED	:	35 m/s
TOPOGRAPHY FACTOR	:	1
TERRAIN CATERGORY	:	2
EXPOSURE PERIOD	:	25 YEARS
WELDING CONFORMS TO	:	BS 5135
GALVANIZING CONFORMS TO	:	BS 729



**GALVAPOLE INDUSTRIES SDN. BHD.**  
  
 9, JALAN KECAPI 33/2,  
 ELITE INDUSTRIAL ESTATE  
 JALAN BUKIT KEMUNING,  
 40350 SHAH ALAM, SELANGOR  
 MALAYSIA  
 Tel : 603-51213300  
 Fax : 603-51212828  
 Website : www.galvapole.com  
 Email : sales@galvapole.com

CLIENT : -		DRAW NO : 35M/NP/FM/01/R0	
PROJECT : -		FILE NAME : NP ISO STD	
DATE : 15-09-2010	DRAWN BY : A.D	INCHARGE BY : CCC	SCALE : N.T.S
DRAWING TITLE : <b>35M NETTING POLE FM</b>		CHECK/APPR. BY : CCC	A4 SIZE

THIS DRAWING IS THE PROPERTY OF GALVAPOLE INDUSTRIES SDN. BHD. AND MUST NOT BE REPRODUCED WITHOUT THEIR PRIOR CONSENT IN WRITING.